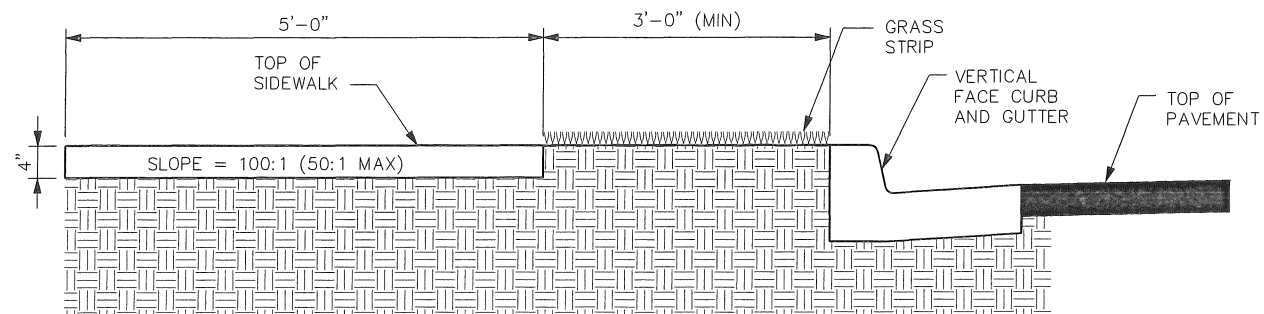
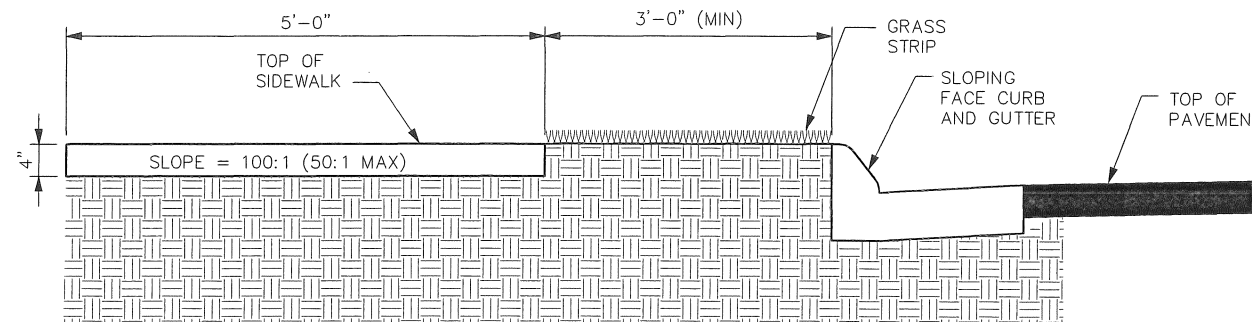


NOTES:

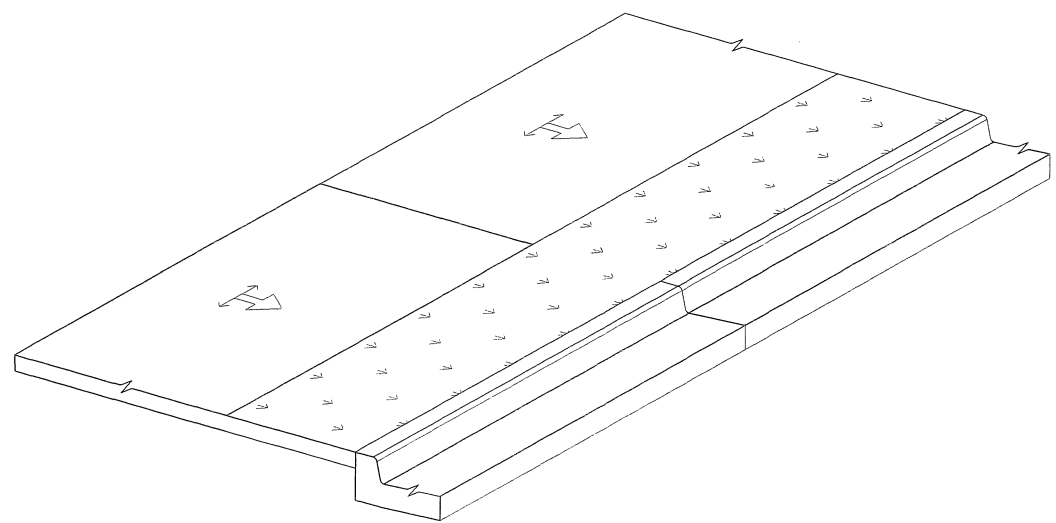
1. SEE DRAWING 720-105-01 FOR STANDARD CURB AND GUTTER DETAILS.
2. SEE DRAWING 720-901-03 FOR SYMBOLS AND CONSTRUCTION TOLERANCE.
3. PLACE TRANSVERSE EXPANSION JOINTS (FULL DEPTH ACROSS THE ENTIRE SIDEWALK WIDTH) WHEN NEAR TURNS IN THE SIDEWALK, AND IN LONG CONTINUOUS RUNS OF SIDEWALK AS DIRECTED IN THE STANDARD SPECIFICATIONS.
4. PLACE EXPANSION JOINTS BETWEEN THE SIDEWALK EDGE AND ANY ADJACENT STRUCTURE (RETAINING WALLS, BUILDINGS, ETC.)
5. PLACE CONTRACTION JOINTS AT REGULAR INTERVALS BETWEEN EXPANSION JOINTS NOT TO EXCEED STANDARD SPECIFICATION SPACING.
6. MEASURE SIDEWALK IN SQUARE YARDS BY THE ACTUAL PLACED AREA OF CONCRETE UP TO THE ADJACENT PAY ITEM LIMITS (CURBS, PEDESTRIAN RAMPS, DRIVEWAYS, ETC.).



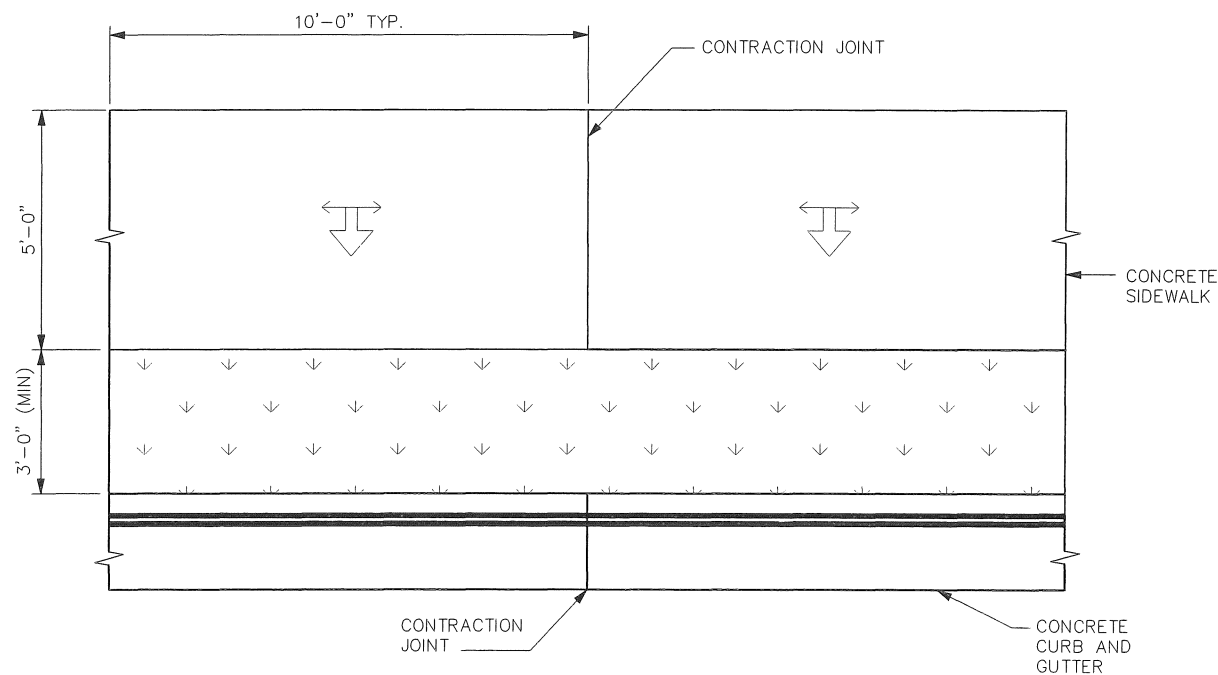
DETAIL 1
1/2" = 1'-0"
SIDE ELEVATIONS



DETAIL 2
1/2" = 1'-0"
SIDE ELEVATIONS



DETAIL 3
ISOMETRIC VIEW



DETAIL 4
SCALE: 1/4" = 1'-0"
PLAN VIEW

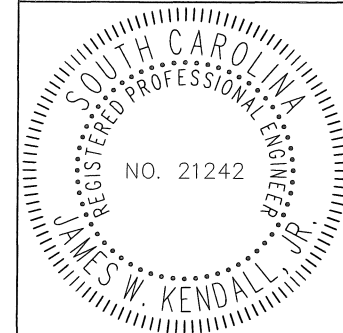
REFERENCES

NATIONAL DOCUMENTS

SCDOT DOCUMENTS

RELATED DRAWINGS & KEYWORDS

THIS DRAWING IS ONLY VALID FOR CONSTRUCTION WHEN SEALED AND SIGNED BY A PROFESSIONAL ENGINEER REGISTERED IN THE STATE OF SOUTH CAROLINA. CHECK WWW.SCDOT.ORG FOR LATEST UPDATE.



James W. Kendall
SIGNATURE

10/30/2015
DATE

6	---	---	---
5	---	---	---
4	---	---	---
3	---	---	---
2	---	---	---
1	---	---	---
0	1/16	DSO	NEW DRAWING
#	DATE	CHK	DESCRIPTION

SCDOT
SOUTH CAROLINA DEPARTMENT OF TRANSPORTATION
DESIGN STANDARDS OFFICE
955 PARK STREET
ROOM 405
COLUMBIA, SC 29201

STANDARD DRAWING
SIDEWALK WITH GRASS STRIP ADJACENT TO CURB

720-155-00
EFFECTIVE LETTING DATE JANUARY 2016